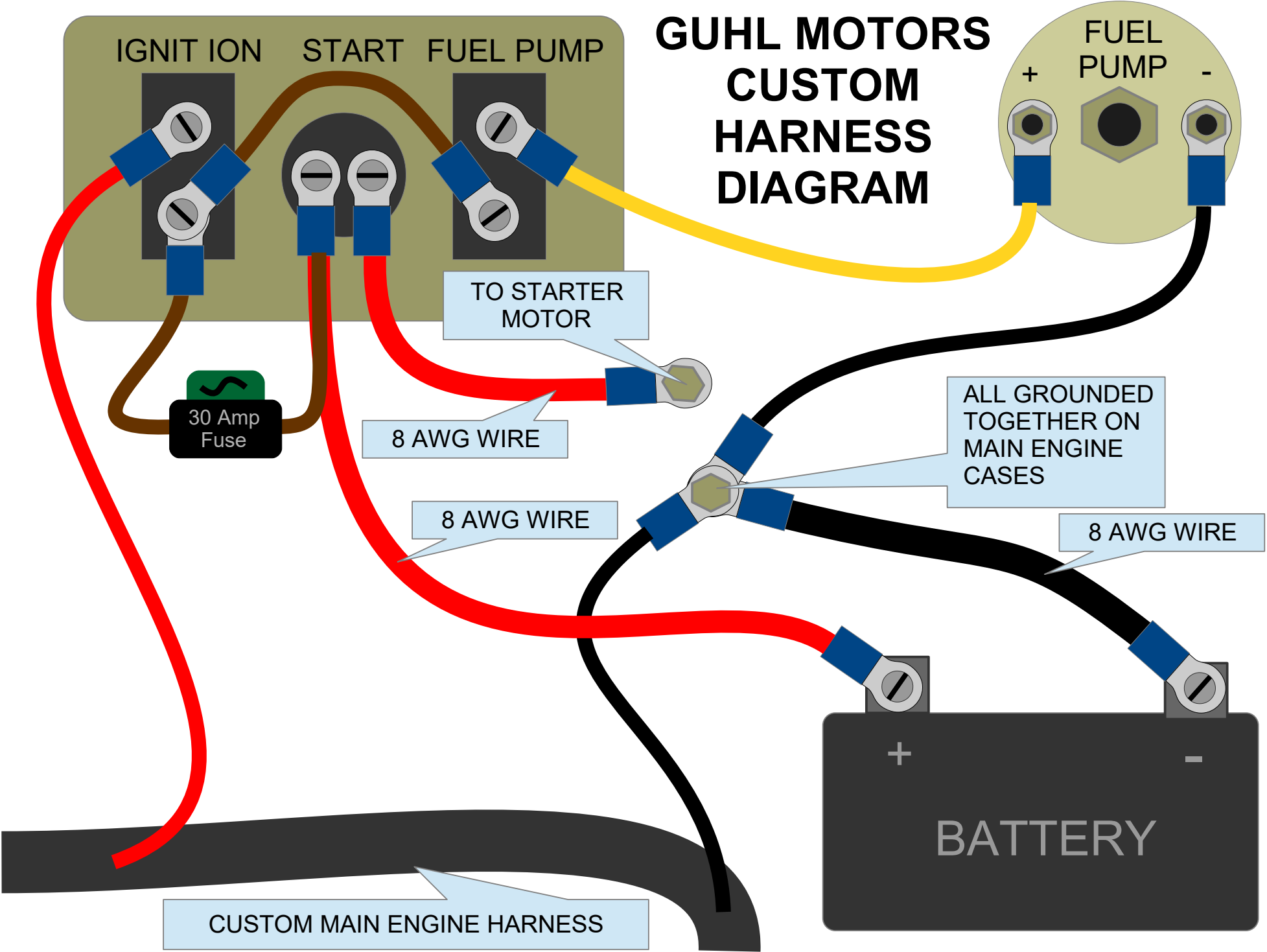


# GUHL MOTORS CUSTOM HARNESS DIAGRAM



IGNITION

START

FUEL PUMP

FUEL PUMP

+

-

TO STARTER MOTOR

30 Amp Fuse

8 AWG WIRE

8 AWG WIRE

ALL GROUNDED TOGETHER ON MAIN ENGINE CASES

8 AWG WIRE

+

-

BATTERY

CUSTOM MAIN ENGINE HARNESS